



SPECIFICATIONS

Input Voltage: 12 Volt DC
Amp: 75 Watts

RAD-047

Wireless Audio Package Installation Instructions

CAUTION: Please read through the safety information and instructions before installing this product. Look behind each drill or cut location BEFORE CUTTING or DRILLING. Installer is responsible for damage (i.e. drilling/cutting into a wire harness, battery, fuel tank etc.). Remove the system's positive and negative connections from the battery source before starting this project. This kit is designed for 12V DC operation only. Operating this kit at a higher voltage will void any and all warranty. A voltage reducer (sold separately) is recommended when installing 12V accessories to avoid damage.

BEFORE YOU START

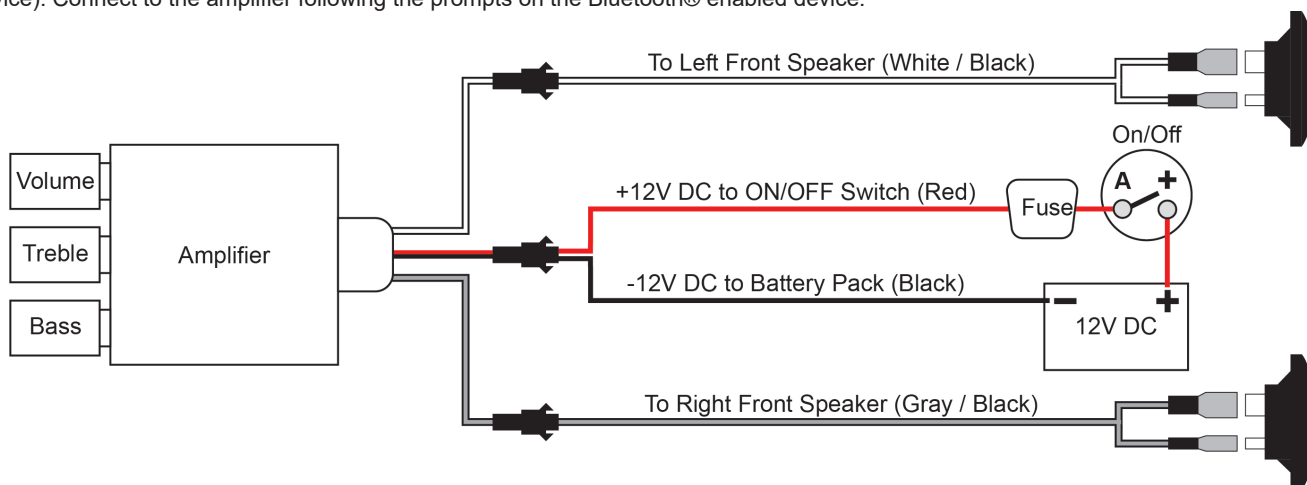
1. If the vehicle is ON, turn the key to the OFF position.
2. Place the TOW/RUN switch in the TOW position.
3. Engage the parking brake.
4. Remove the system's positive (+) and negative (-) connections from the battery pack.

INSTALLATION

1. Identify a clean and dry location on the vehicle to mount the amplifier. Use a marking device to mark the mounting locations of the (4) mounting holes or notches. Drill a pilot hole or a through-hole (depending on the mounting hardware) at each location. Fasten the amplifier to the vehicle. Mounting hardware is not included.
2. Locate an area to mount the speakers. The area should have at least 2-1/2" of depth clearance. Cut out a 4-1/2" mounting hole for each speaker. Mount the speakers using (8) Mounting Screws.
3. Run the speaker wires from the amplifier to the speakers following the diagram below. The wires should be free of obstructions and not kinked.
4. Run the red wire to the accessory side of an ON/OFF switch (not included). Run a second wire from the +12V side of the battery pack to the power side of the ON/OFF switch.

CAUTION: The amplifier is designed to operate at 12V DC. Operating the amplifier at a voltage greater than 12V DC will destroy the amplifier and void any and all warranty. A voltage reducer (sold separately) is recommended when installing 12V accessories to avoid damage.

5. Run the black wire from the amplifier to the -12V side of the battery pack as shown.
6. Verify all connections are tight and secure. Reconnect the vehicle's positive (+) and negative (-) connections to the battery or battery pack. Place the TOW/RUN switch in RUN. Turn the key to the ON position.
7. To establish a wireless connection, power the amplifier ON with the ON/OFF switch. Once the amplifier indicates the power is ON, search for the amplifier with a Bluetooth® enabled device. The amplifier will appear as "SPK- ____" (the four digit number will vary depending on the device). Connect to the amplifier following the prompts on the Bluetooth® enabled device.



Your Wireless Audio Package is now complete. Please enjoy safely!

Scan QR code or use the link to view our installation video library.
<https://www.youtube.com/user/golfcartinstructions>

